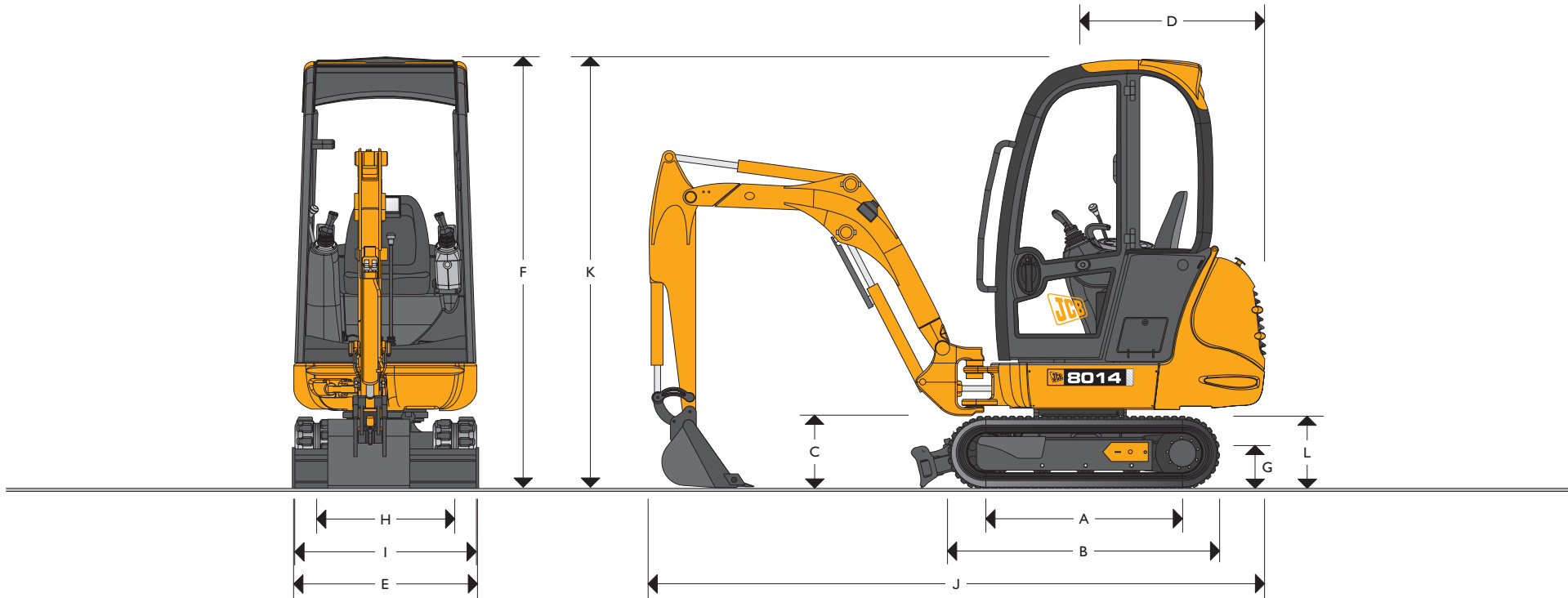




JCB MINI EXCAVATOR | 8014



OPERATING WEIGHT: 1564 kg (3448 lbs)
 NETT ENGINE POWER: 13.2 kW (17.7 hp)



STATIC DIMENSIONS

Machine model	8014
	mm (ft-in)
A Sprocket idler centres	1027 (3-4)
B Undercarriage overall length	1384 (4-7)
C Kingpost clearance	376 (1-3)
D Tailswing radius	1028 (3-4½)
E Overall width of superstructure	980 (3-2½)
F Height over cab	2318 (7-7)
G Ground clearance	158 (0-6)

Machine model	8014
	mm (ft-in)
H Track gauge	742 (2-5)
I Width over tracks	972 (3-2)
J Transport length	3346 (10-11¾)
K Transport height with FOGS guard	2318 (7-7)
K Transport height without FOGS guard	2304 (7-6½)
L Track height	366 (1-2)



JCB MINI EXCAVATOR | 8014



ENGINE

Machine Model	8014	
Model	403C-11	
Fuel	Diesel	
Cooling	Water cooled	
Gross power ISO 14396	kW (hp) @ 2200 rpm	13.7 (18.4)
Nett power	kW (hp) @ 2200 rpm	13.2 (17.7)
Gross torque ISO 14396	Nm (lbf ft) @ 2000 rpm	60.8 (44.84)
Nett torque	Nm (lbf ft) @ 2000 rpm	57.3 (42.26)
Displacement	cc	1131
Gradeability	degrees	35
Starter motor	kW (hp)	1.1 (1.48)
Battery	volt / Ampere/hour	12v / 60Ah
Alternator	amps	40

UNDERCARRIAGE

Machine model	8014	
No of bottom rollers	3	
Track Width	mm (in)	230 (9)
Ground bearing pressure	kg/cm ² (psi)	0.33 (4.69)
Ground clearance	mm (in)	158 (6)
Track tensioning	Screw	
Travel speed	kph (mph)	1.8 (1.12)
Tractive effort	kN (lbf)	11.08 (2491)

HYDRAULIC SYSTEM

Machine Model	8014	
Pump	Triple section Gear	
Nominal output	lpm	39.2 (13.5 x 13.5 x 12.2)
Nominal output	UK gal/min	8.6 (2.95 x 2.95 x 2.7)
Excavator/track main relief	bar (psi)	230 (3336)
Slew main relief	bar (psi)	160 (2321)
Auxiliary hydraulic flow	litres (UK gal)	26.9 (5.9)
Hydraulic motors	Piston	

OPERATOR ENVIRONMENT

		External	Internal
Cab/canopy height with FOGS guard	mm (ft-in)	2318 (7-7)	2269 (7-5)
Cab/canopy height no FOGS guard	mm (ft-in)	2304 (7-6½)	2269 (7-5)
Cab/canopy length	mm (ft-in)	1171 (3-11)	1073 (3-6)
Cab/canopy width	mm (ft-in)	974 (3-2)	888 (2-11)
Distance from seat base to roof	mm (ft-in)	1223 (4-0)	
Door aperture width	mm (ft-in)	624 (2-0½)	

SERVICE CAPACITIES

Machine model	8014	
Fuel tank	litres (UK Gal)	23.5 (5.2)
Engine coolant	litres (UK Gal)	5 (1.1)
Engine oil	litres (UK Gal)	4 (0.9)
Hydraulic system	litres (UK Gal)	28 (6.2)
Hydraulic tank	litres (UK Gal)	25 (5.5)

MACHINE WEIGHTS

Machine model	8014	
Operating weight*	kg (lb)	1564 (3448)
Transport weight	kg (lb)	1489 (3283)
With canopy	kg (lb)	-80 (-176)
With FOGS guard	kg (lb)	+25 (+55)

*Operating weight to ISO 6016 including Cab, rubber tracks, standard dipper, 460mm (18in) bucket, full tanks and a 75kg (165lb) operator.



JCB MINI EXCAVATOR | 8014



DOZER BLADE

Machine model	8014	
Max height (above ground)	mm (ft-in)	178 (0-7)
Dig depth (below ground)	mm (ft-in)	292 (0-11½)
Approach angle	degrees	26.5
Width	mm (ft-in)	1000 (3-3)
Height	mm (ft-in)	225 (0-9)
Reach in front of tracks	mm (ft-in)	202 (0-8)

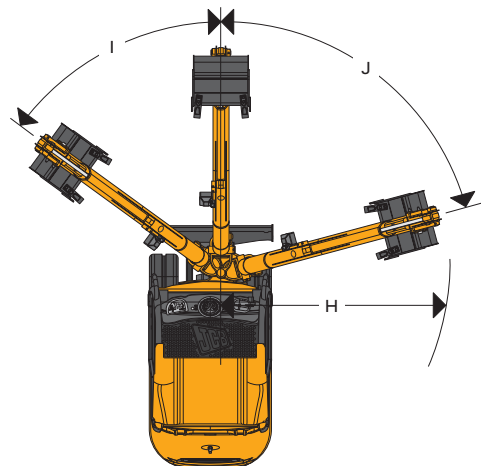
STANDARD EQUIPMENT

ROPS & TOPS certified canopy, full audio/visual warning systems, slew travel lock, control isolator, external lockable toolbox, 12v power socket, lifting points, rubber tracks, ISO servo controls, vinyl static seat, boom worklight, boom ram protection, dozer blade, 1161mm (3ft-10in) dipper.

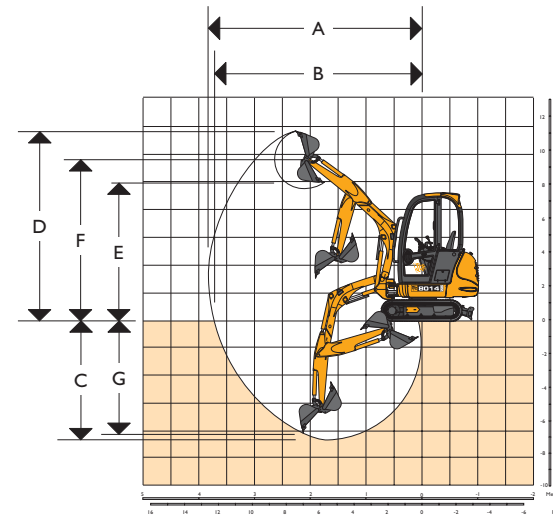
OPTIONAL EQUIPMENT

ROPS & TOPS certified fully glazed cab (includes heater, interior light, cigar lighter, door holdback latch with internal/external release, gas strut assisted front screen), dual pattern controls (ISO/SAE change-over), double-acting auxiliary circuit, cab/canopy mounted worklights, engine fan guard kit, FOGS roof guard, yellow roof moulding, 9 digging buckets (160mm to 760mm (6in to 30in)), 2 ditching/grading buckets (900mm & 1000mm (35in and 39in)), hydraulic breakers, earthdrills, mechanical quickhitch, hydraulic kerb-lifter.

WORKING RANGE



WORKING RANGE



WORKING RANGE

Machine model	8014	
Dipper length	mm (ft-in)	1161 (3-10)
A Max digging reach	mm (ft-in)	3837 (12-7)
B Max digging reach on ground	mm (ft-in)	3764 (12-4)
C Max digging depth – dozer up	mm (ft-in)	2044 (6-8½)
Max digging depth – dozer down	mm (ft-in)	2357 (7-9)
D Max digging height	mm (ft-in)	3393 (11-2)
E Max dump height	mm (ft-in)	2501 (8-2½)
F Max height to dipper nose pivot pin	mm (ft-in)	2921 (9-7)
G Max vertical wallcut depth	mm (ft-in)	1659 (5-5)
H Min. front swing radius (no offset)	mm (ft-in)	1641 (5-4½)
Min. front swing radius (fully offset)	mm (ft-in)	1457 (4-9)
I Boom swing left	degrees	55
J Boom swing right	degrees	75
Bucket rotation	degrees	198
Dipper rotation	degrees	112
Bucket tearout	kN (lbf)	13.5 (3035)
Dipper tearout	kN (lbf)	8 (1798)
Slew speed	rpm	10



JCB MINI EXCAVATOR | 8014



LIFT CAPACITIES – 230mm (9in) Rubber Tracks, 1161 mm (3ft 10in) dipper, No bucket.

Load Point	Reach from slew centre																
	1.2m (3ft 11in)			1.5m (4ft 11in)			2m (6ft 7in)			2.5m (8ft 2½in)			Capacity at maximum reach				
Height	Dozer up	Dozer down		Dozer up	Dozer down		Dozer up	Dozer down		Dozer up	Dozer down		Dozer up	Dozer down			
m (ft-in)	kg	kg	kg	kg	kg	kg	kg	kg	kg	kg	kg	kg	kg	kg	kg	kg	mm (ft-in)
1.5 (4-11)										228*	238*	224*	172	252*	136	3240 (10-7½)	
1 (3-3)				492*	506*	434*	304*	350*	303*	284*	298*	194	152	271*	115	3300 (10-10)	
0.5 (1-8)				465	744*	359	312	479*	248	224	376*	188	142	288*	115	3300 (10-10)	
Ground Level	368	914*	416	344	845*	315	240	532*	206	158	384*	166	135	296*	116	3150 (10-4)	
- 0.5 – (1-8)	353	966*	386	315	809*	273	210	548*	212	150	400*	158	124	322*	127	3000 (9-10)	
- 1 – (3-3)	308	853*	436	374	679*	300	270	535*	206	210	394*	154	195	349*	139	2650 (8-8)	

- Lift capacity front and rear.
- Lift capacity full circle.

- Notes:**
1. Lifting capacities are based on ISO 10567, that is: 75% of minimum tipping load or 87% of hydraulic lift capacity, whichever is the less. Lifting capacities marked* are based on hydraulic capacity.
 2. Lift capacities assume that the machine is on firm, level ground and equipped with an approved lifting point.
 3. A bucket must be fitted when lifting, the weight of this bucket must be deducted from the above lift capacities.
 4. Lift capacities may be limited by local regulations. Please refer to your dealer.

