



C.L.S.
selfdrive



Double Axle Trailer

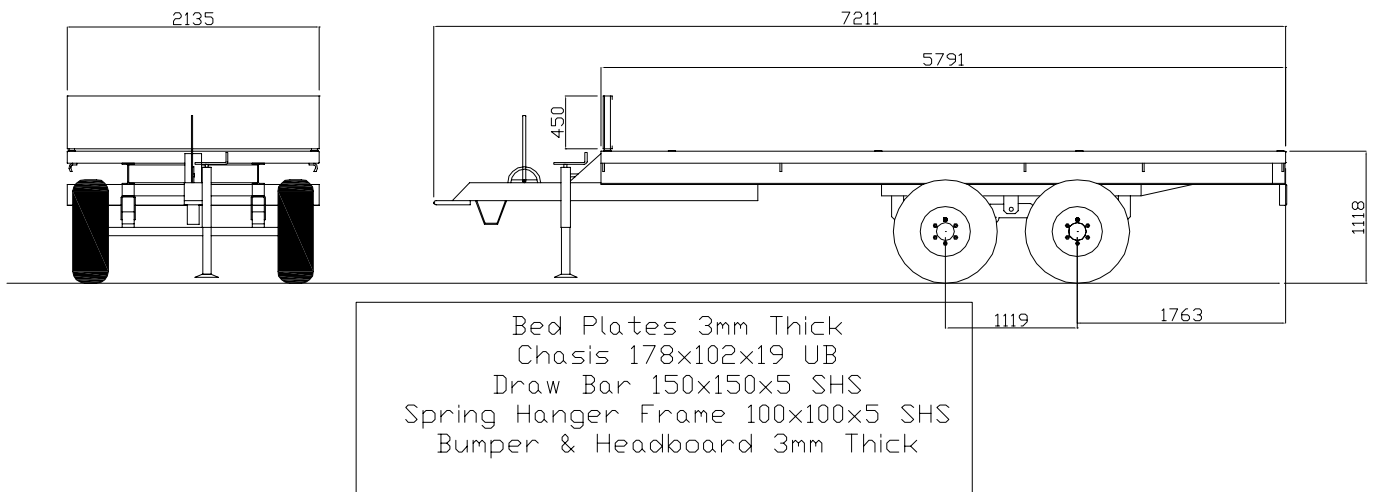
Specifications (Weight & capacity)

	(kg)
Axle 1	5500
Axle 2	5500
Draw Bar	1500
Unladen weight	1580
Gross	10000

Parts List

- 2 x 70mm 6 stud 300x60 braked axle 1800track
- 1 x 10 tonne tandem spring set with 70mm u bolts
- 4 x 12.5/80-15.3 tyres on 6 stud wheel
- 1 x 50mm towing eye heavy duty
- 1 x Heavy duty ratchet hand brake
- 2 x 20mm brake ram kits
- 80mm top wind screw jack
- ¼ " Hydraulic hose brake line c/w quick release coupling

Dimension Drawing



DO NOT SCALE

The above design is in constant development and therefore specification may be subject to change.